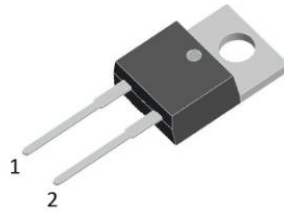


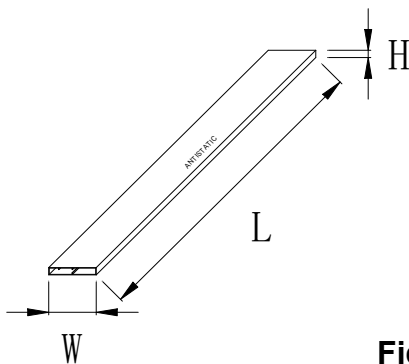
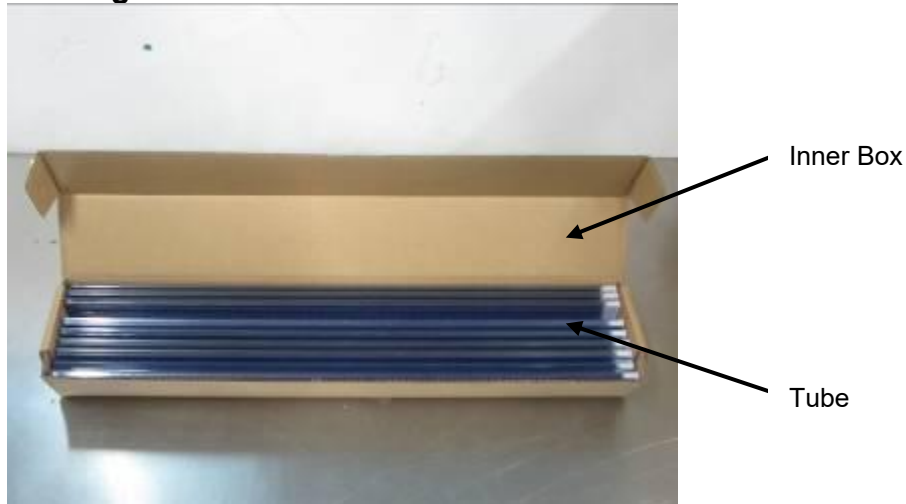
## TO-220AC Packing information

B023, Rev. -

### 1. Finish Goods PKG photo



### 2. Packing method



**Fig.1- Tube pack for TO-220AC**

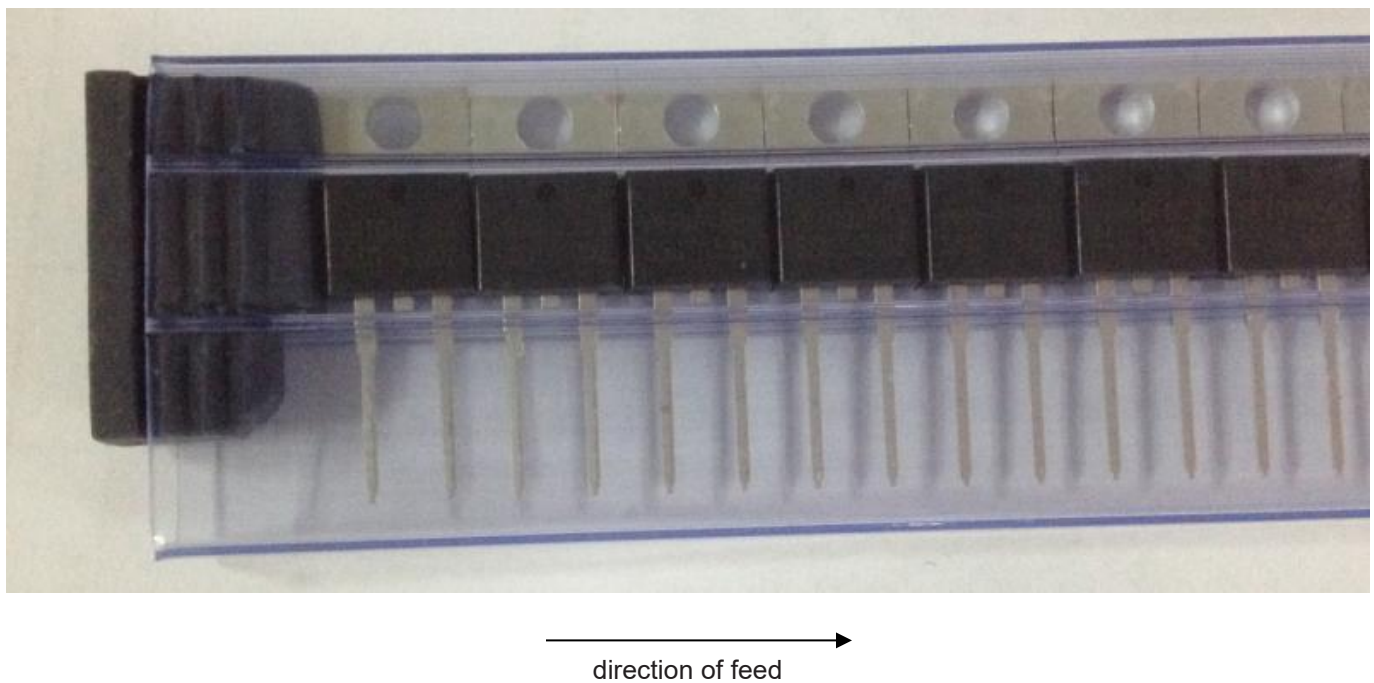
**Table 1. Packing information**

Package version	Tube dimensions L×W×H (mm)	Per Tube (pcs)	Tube Weight (Kg)	Tube per box	Inner box dimensions L×W×H (mm)	Inner box weight (Kg)	PCS/ Inner box	Outer box dimensions L×W×H (mm)	PCS/ Outer box	Outer box weight (Kg)
TO-220AC	530*32*7	50	0.13	20	555*84*75	2.7	1000	580*380*175	8000	21.6

Note: 1. Packing material use anti static.  
 2. Packing internal ESD spec is under 100V.

**3. Product orientation**

Standard product orientation TO-220AC



**Fig 2. Product orientation in Tube**